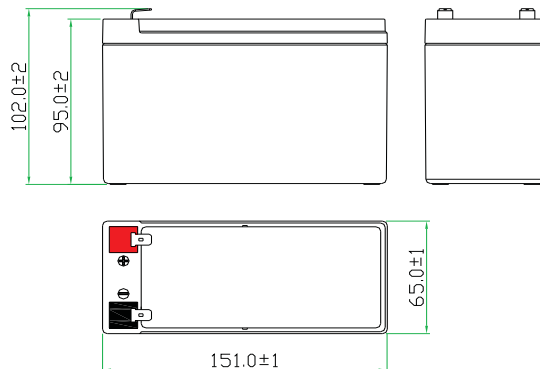


# PRODUCT INTRODUCTION

## CA1270 [12V7.0AH]



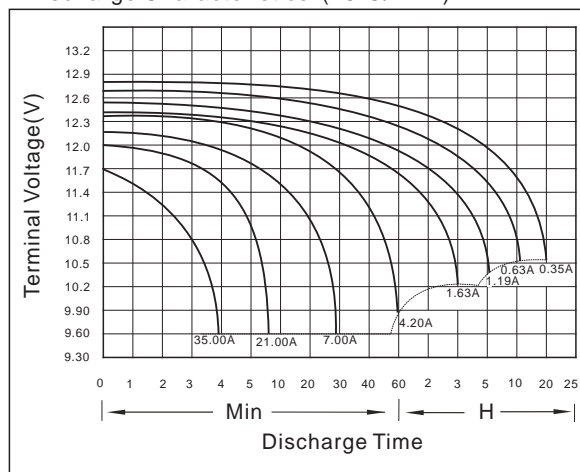
### • Outer dimensions(mm)



## Specifications

Nominal Voltage		12V	Rated Capacity (20 hour rate)	7.0AH
Dimensions ± 1mm	Length	151mm 5.94 inches	Weight	Approx: 2000g
	Width	65mm 2.56 inches	Standard	F1
	Height	95mm 3.74 inches	Terminal	
	Total Height (With Terminals)	102mm 4.01 inches	Optional Terminal	F2

### • Discharge Characteristics (25°C/77°F)



## Electrical Specifications

Capacity 77°F(25°C)	20 hour rate(350mA)	7.00AH	Internal Resistance	45 mΩ
	10 hour rate(630mA)	6.30AH		
	5 hour rate (1190mA)	5.95AH		
	1 hour rate(4200mA)	4.20AH		
Capacity Affected by Temperature (20 hour rate)	104°F (40°C)	102%	Self-discharge 77°F(25°C)	Capacity after 1 month storage 90%
	77°F (25°C)	100%		Capacity after 3 month storage 75%
	32°F (0°C)	80%		Capacity after 6 month storage 65%
	5°F (-15°C)	50%		Capacity after 12 month storage 55%
Charge Constant Voltage	Cycle use: Initial Charging Current less than 2.10A; Voltage 14.40~15.00V 77°F(25°C) Standby use: Voltage 13.50~13.80V 77°F(25°C)			

### Temperature Effects in Relation to Battery Capacity

