

DS-2CD2710F-I(S) (1.3MP)

DS-2CD2720F-I(S) (2.0MP)

VF IR Dome Network Camera

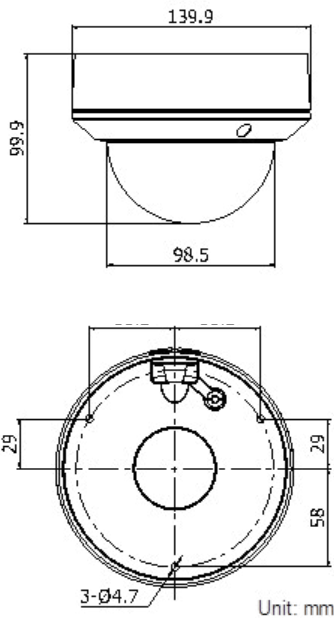
* Product picture and technical specs subject to change without previous notice.
For further information, please contact our local sales representatives.



Key features

- 1.3MP/2MP high resolution
- HD real-time video
- IR LEDs: up to 30m
- DWDR & 3D DNR & BLC
- Onboard storage (up to 64GB)
- (-S) Audio I/O, Alarm I/O
- IP66
- Vandal-proof

Dimensions



Available model

DS-2CD2710F-I(S) (1.3MP)

DS-2CD2720F-I(S) (2.0MP)

	DS-2CD2710F-I (S)	DS-2CD2720F-I (S)
Camera		
Image sensor	1/3" progressive scan CMOS	
Min. illumination	0.01 lux @F1.2, AGC ON, 0.014 lux @F1.4, AGC ON, 0 lux with IR	0.07 lux @F1.2, AGC ON, 0.1 lux @F1.4, AGC ON, 0 lux with IR
Shutter time	1/3s ~ 1/100,100s	
Lens	2.8 ~ 12 mm @F1.4, angle of view: 105.2°~31.9°	2.8 ~ 12 mm @F1.4, angle of view: 91.2°~28.3°
Lens mount	Ø14	
Auto iris	DC drive	
Day & night	ICR	
Digital noise reduction	3D DNR	
Wide dynamic range	Digital WDR	
Backlight compensation	Yes, zone configurable	
Angle adjustment	Pan: 0° ~ 355°, tilt: 0° ~ 75°, rotation: 0° ~ 355°	
Compression Standard		
Video compression	H.264 / MJPEG	
H.264 codec profile	Main profile	
Bit rate	32 Kbps ~ 16 Mbps	
Audio compression (-S)	G.711 / G.726	
Audio bit rate (-S)	64 Kbps (G.711) / 16 Kbps (G.726)	
Image		
Max. Image Resolution	1280 x 960	1920 x 1080
Frame rate	50Hz: 25fps (1280 x 960), 25fps (1280 x 720) 60Hz: 30fps (1280 x 960), 30fps (1280 x 720)	50Hz: 25fps (1920 x 1080), 25fps (1280 x 720) 60Hz: 30fps (1920 x 1080), 30fps (1280 x 720)
Image settings	Saturation, brightness, contrast, sharpness adjustable through client software or web browser	
Network		
Network storage	NAS	
Alarm trigger	Motion detection, tampering alarm, intrusion detection	
Protocols	TCP/IP, ICMP, HTTP, HTTPS, FTP, DHCP, DNS, DDNS, RTP, RTSP, RTCP, PPPoE, NTP, UPnP, SMTP, SNMP, IGMP, 802.1X, QoS, IPv6, Bonjour	
System compatibility	ONVIF, PSIA, CGI	
General functionalities	User authentication, watermark, dual stream	
Interface		
Communication interface	1 RJ45 10 M / 100 M Ethernet interface	
Onboard storage	Built-in Micro SD / SDHC / SDXC card slot, up to 64 GB	
General		
Operating conditions	-30 °C ~ 60 °C (-22°F ~ 140 °F) humidity 95% or less (non-condensing)	
Power supply	12 VDC ± 10%, PoE (802.3af)	
Power consumption	Max. 5.5W (max. 7W with ICR on)	
Impact protection	IEC60068-2-75Eh, 50J; EN50102, up to IK10	
Ingress protection level	IP66	
IR range	Up to 30m	
Dimensions	Ø 140 x 99.9 mm	
Weight	1000g	